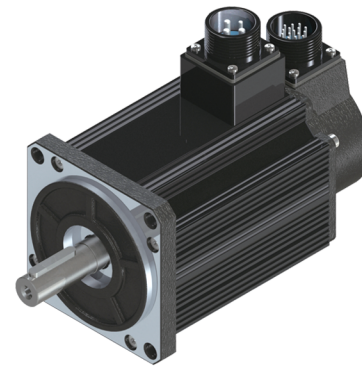


### SM110系列伺服电机 SM110 Series servo motor

运行径向负载 (N) Operating radial load	490
运行轴向负载 (N) Operating axial load	196

备注：径向负载为在轴伸1/2处  
Radial load point is the 1/2 shaft output



#### 产品性能参数(Electrical specification):

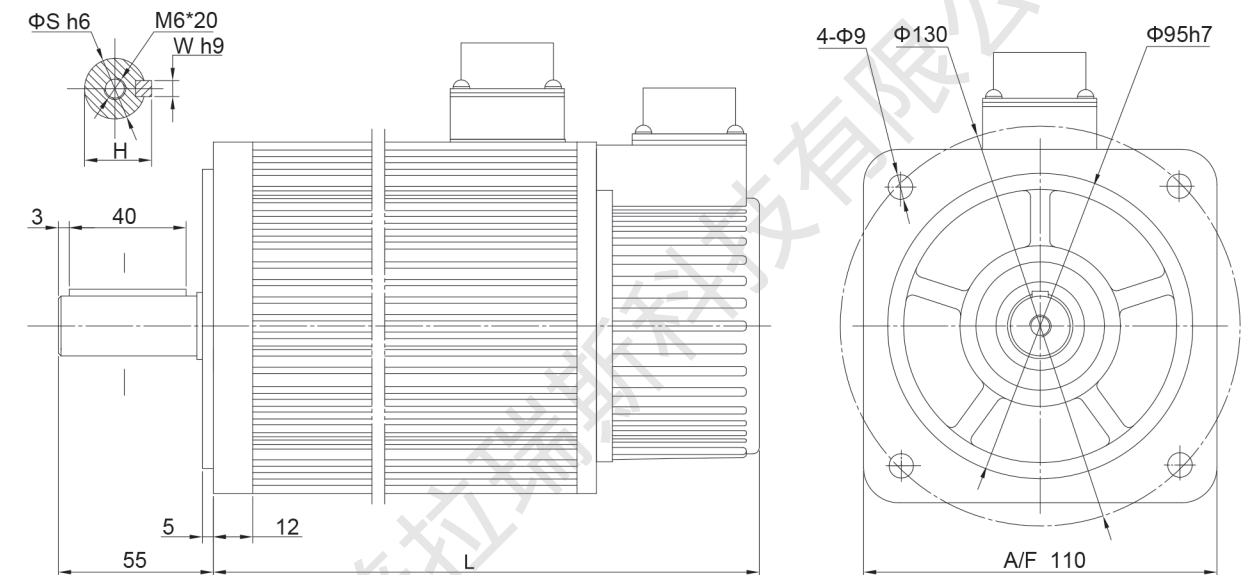
电机型号 Parameter	SM110															
	-02030	-04030	-05030	-06030	-07725	-09030										
额定功率 Rated power (KW)	0.6	1.2	1.5	1.8	2.0	2.8										
额定运行电压 Rated Voltage(3Φ VAC)	220	220	220	220	220	220										
额定电流 Rated current (A)	2.5	5.0	5.0	6.0	7.0	9.0										
额定转速 Rated speed (rpm)	3000	3000	3000	3000	2500	3000										
额定转矩 Rated torque (N.m)	2.0	4.0	5.0	6.0	7.7	9.0										
峰值扭矩 Peak torque (N.m)	6	12	15	18	15	18										
反电势常数 Voltage constant (V/Krpm)	56	54	62	60	67	60										
转矩常数 Torque constant (N.m/A)	0.8	0.8	1.0	1.0	1.1	1.0										
转子惯量 Rotor inertia (× 10 <sup>-3</sup> Kg.m <sup>2</sup> )	0.31	0.54	0.63	0.76	0.83	1.07										
电子时间常数 Electrical time onstant (ms)	2.3	3.0	3.33	3.2	4.1	4.0										
电机重量 Motor weight (Kg)	4.5	5.5	6.1	6.7	7.0	8.0										
编码器线数 Encoder resolution( PPR)	2500	2500	2500	2500	2500	2500										
绝缘等级 Insulation class	F	F	F	F	F	F										
防护等级 Protection class	IP65	IP65	IP65	IP65	IP65	IP65										
使用环境要求 Service environment	环境温度: -20~+50°C Operating ambient temperature:-20~+50°C 环境湿度: 相对湿度<90%(无结霜) Operating ambient humidity :below 90%RH,No freezing															
绕组航插定义 Power plugs definition	管脚功能 Pin function	U		V		W		PE								
	管脚编号 Pin number	2		3		4		1								
编码器航插定义 Signal plugs definition	管脚功能 Pin function	5V	0V	A+	B+	Z+	A-	B-	Z-	U+	V+	W+	U-	V-	W-	PE
	管脚编号 Pin number	2	3	4	5	6	7	8	9	10	11	12	13	14	15	1
航插规格 Plug model	绕组插件型号: YD28J4Z-E Power plugs model: YD28J4Z-E						编码器插件型号: YD28J15Z-E Signal plugs model: YD28J15Z-E									

以上产品可按客户要求进行出轴规格、信号反馈元件类别、参数及相关配件定制  
Above products can be customized according to customer requirement.

#### 外形尺寸(Dimension):

Item	SM110					
	-02030	-04030	-05030	-06030	-07725	-09030
L (mm)	159	189	204	219	219	247
S (mm)	19	19	19	19	19	19
H (mm)	21.5	21.5	21.5	21.5	21.5	21.5
W(mm)	6	6	6	6	6	6

#### 外形图(Outline drawing):



#### 安装注意事项(Installation precaution):

1. 安装或拆卸电机时，不得敲击电机及转轴，以免损坏编码器；
  2. 尽量防止轴座的振动，以免损坏轴承；
  3. 电机与驱动器须正确可靠连接，以免损坏电机和编码器；
  4. 装配时，须确保电机轴和负载轴的同轴，以免损坏电机
- 1.Never hit the servo motor or shaft, especially when coupling or disassembly the servo motor to machine, the encoder may become faulty;
  - 2.striving to make the best of its shaft to prevent vibration and bearing damage;
  - 3.The motor and amplifier must be connected to be correct and reliable, so as not to damage motor and encoder;
  - 4.When installing the motor, must ensure that motor shaft and load shaft concentric, so as not to damage the motor and encoder.