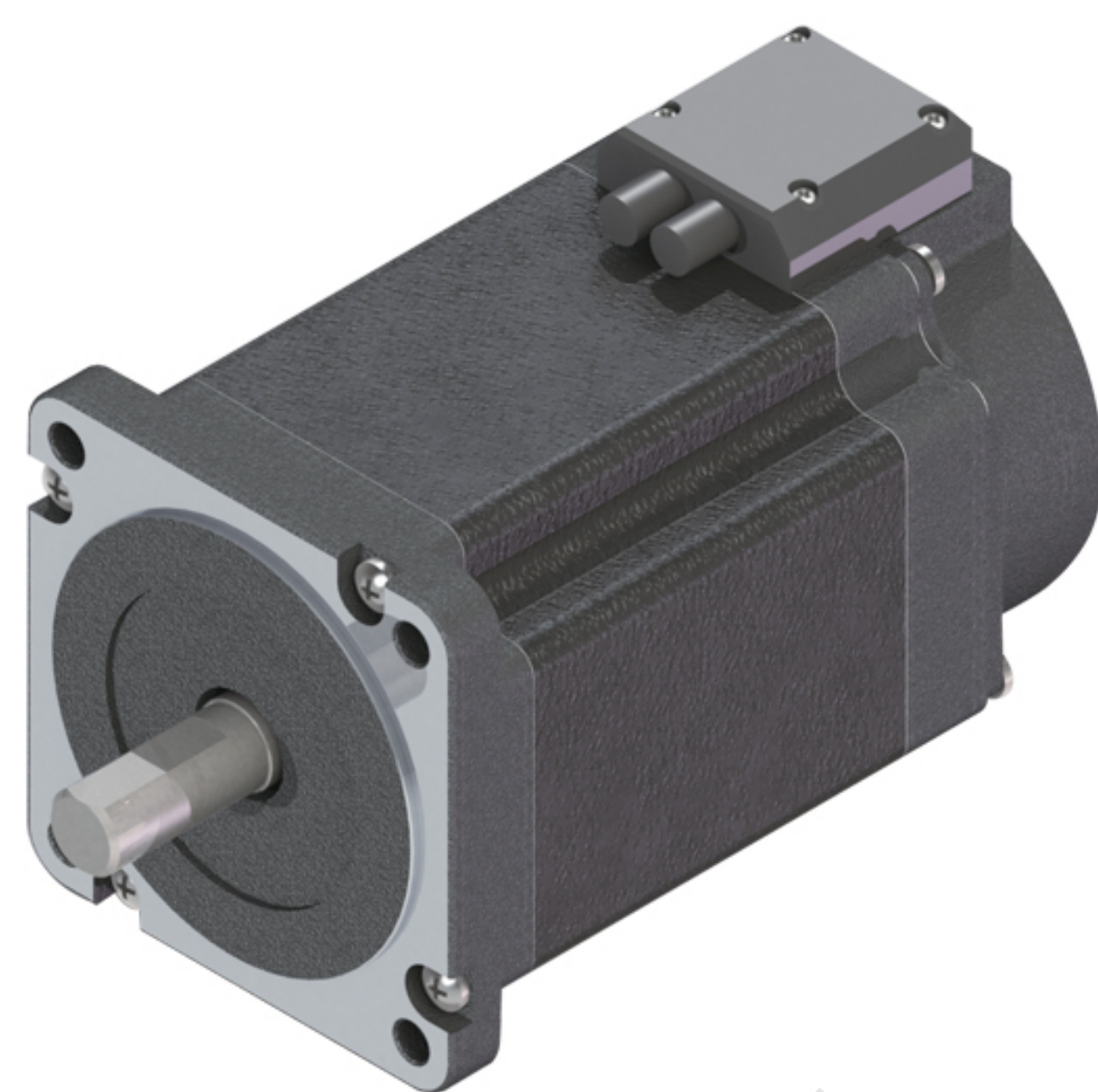


# 86H2F系列闭环步进电机

## 86H2F Series hybrid servo motor

|                               |                          |
|-------------------------------|--------------------------|
| 步距角<br>Step Angle             | 1.8°                     |
| 绝缘电阻<br>Insulation Resistance | 500V DC 100MΩ Min        |
| 绝缘强度<br>Dielectric Strength   | 900V AC 50Hz 2mA 1Minute |
| 环境温度<br>Ambient Temperature   | -20~+40°C                |
| 温升<br>Temperature Rise        | 80K Max                  |
| 绝缘等级<br>Insulation Class      | B                        |

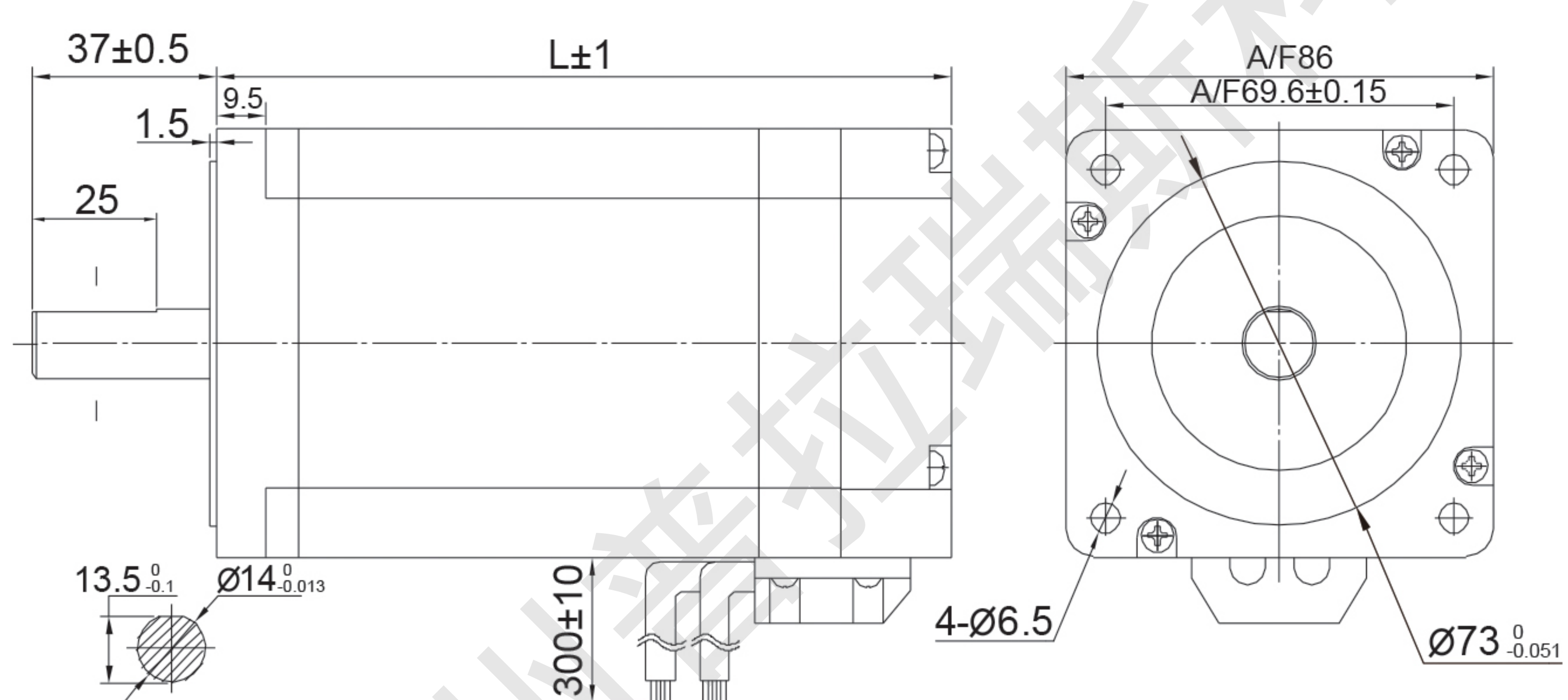


### 产品性能参数(Electrical specification):

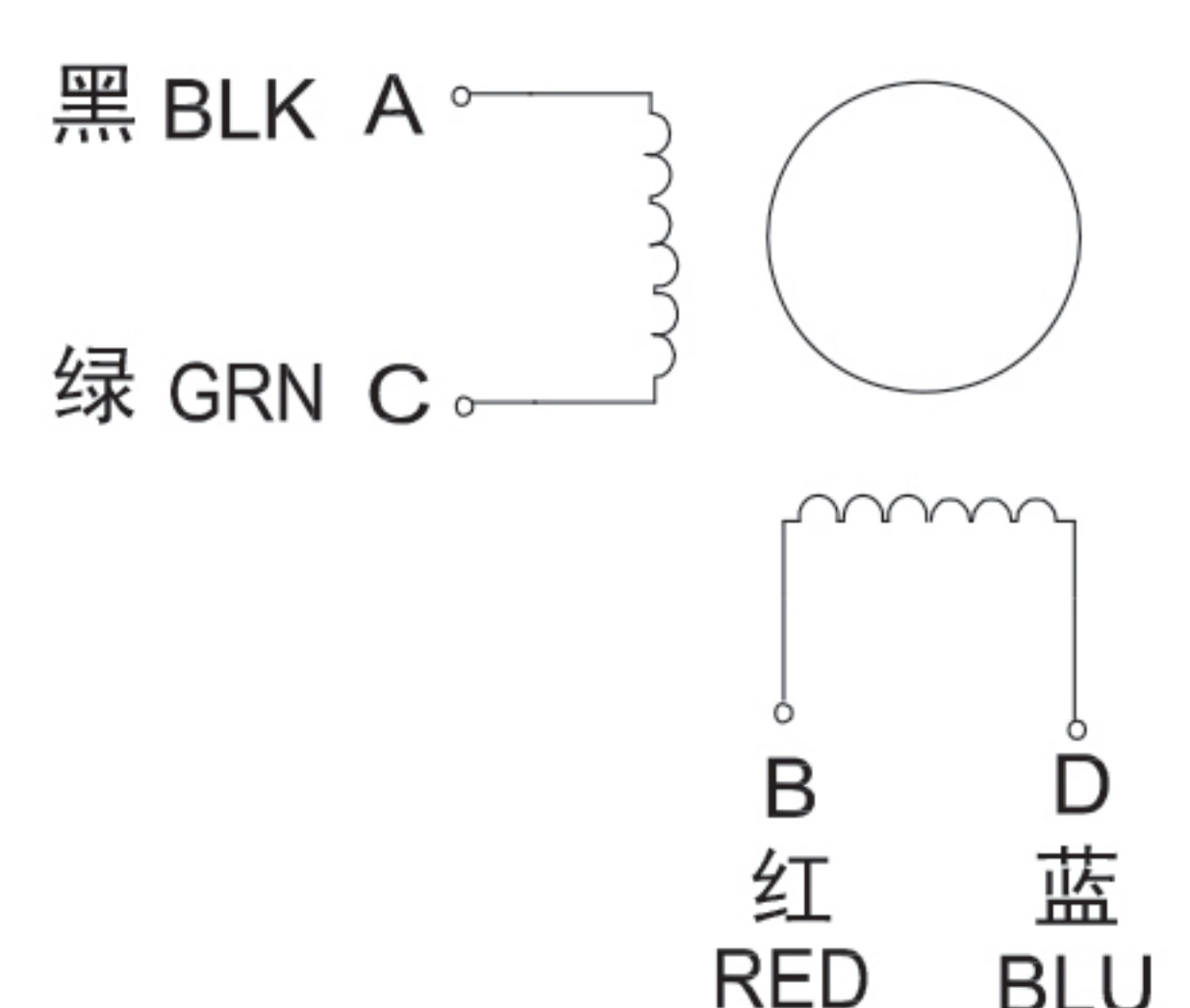
| 型号          | 机身长度 | 额定电压 | 额定电流 | 绕组电参数<br>@20°C<br>Typ. |     | 静力矩 |       | 转子惯量              |                    | 电机质量 |     |
|-------------|------|------|------|------------------------|-----|-----|-------|-------------------|--------------------|------|-----|
|             | mm   | V    | Amps | Ohms                   | mH  | N.m | oz-in | g.cm <sup>2</sup> | oz-in <sup>2</sup> | Kg   | Lbs |
| 86H2F89-E   | 89   | 3.0  | 6.0  | 0.5                    | 4.0 | 4.0 | 567   | 915               | 5.0                | 1.6  | 3.5 |
| 86H2F118 -E | 118  | 3.6  | 6.0  | 0.6                    | 6.8 | 6.8 | 963   | 1480              | 8.1                | 2.7  | 6.0 |
| 86H2F147-E  | 147  | 3.6  | 6.0  | 0.6                    | 8.0 | 9.8 | 1388  | 2200              | 12                 | 3.8  | 8.4 |

以上产品可根据客户要求定制。  
Above Products can be customized according to customer requirement.

### 外形尺寸 (Dimension):



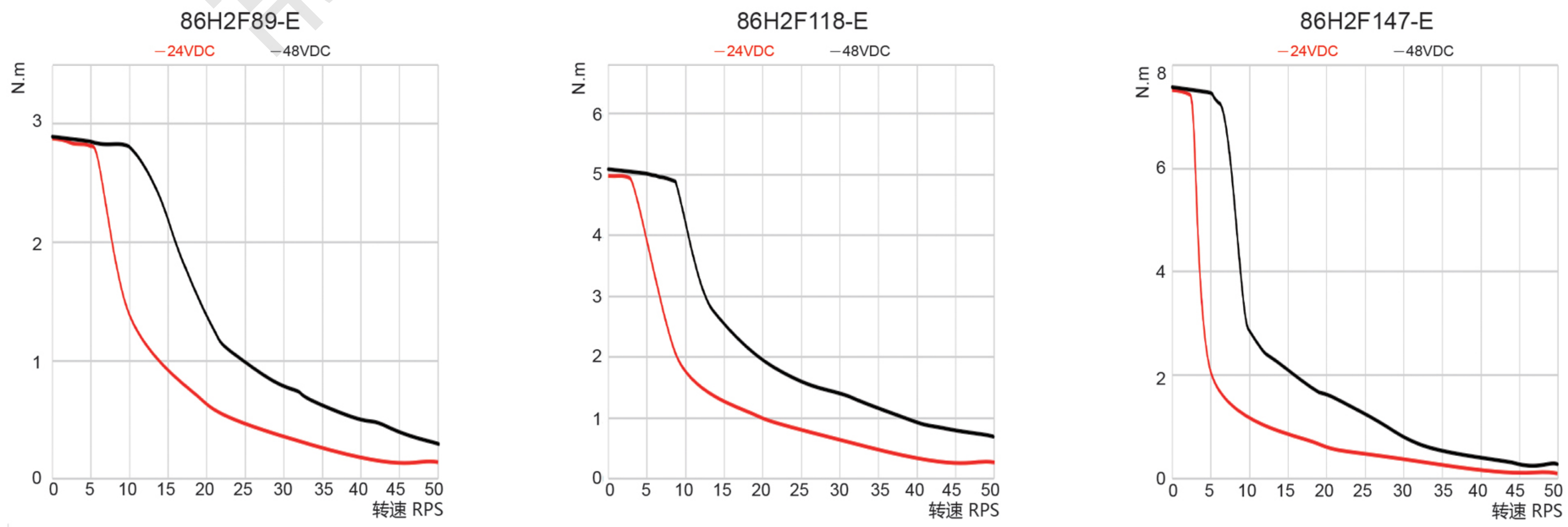
### 接线图 (Wiring Diagram):



编码器引线定义:

| 颜色 | 红   | 黑   | 蓝  | 绿  | 黄  | 白  |
|----|-----|-----|----|----|----|----|
| 功能 | +5V | GND | A+ | A- | B+ | B- |

### 运行矩频特性 (Torque-frequency Characteristic):



注意：装配时，须保证电机轴和负载轴的同轴，严禁敲打，以免损坏电机。  
Note: When installing the motor, must ensure that the motor shaft and load shaft concentric, never hit it, so as not to damage the motor.