

110BYG250系列步进电机

110BYG250 Series stepping motor

步距角 Step Angle	1.8°
绝缘电阻 Insulation Resistance	500V DC 100MΩ Min
绝缘强度 Dielectric Strength	1000V AC 50Hz 2mA 1Minute
环境温度 Ambient Temperature	-20~+40°C
温升 Temperature Rise	80K Max
绝缘等级 Insulation Class	B

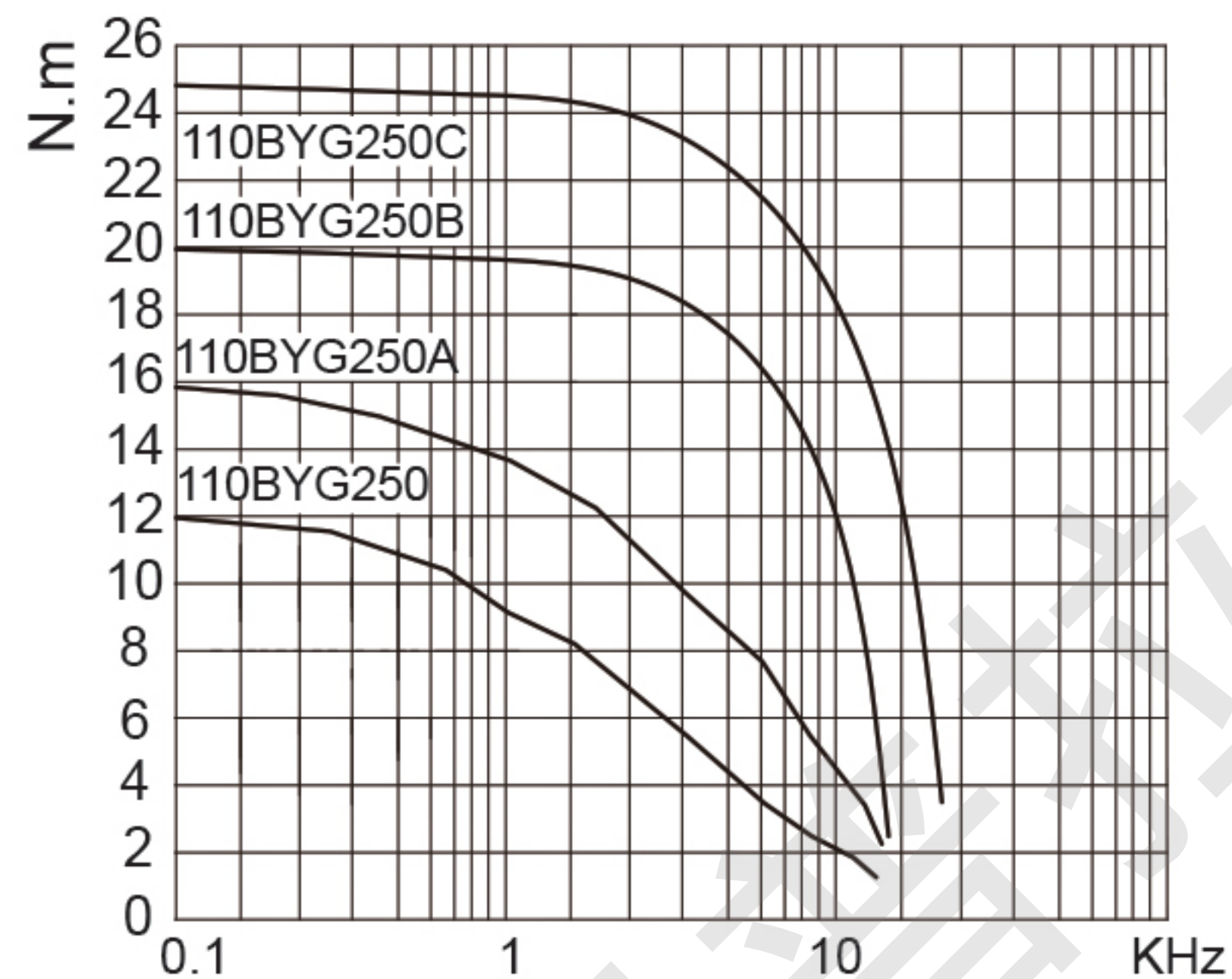


产品性能参数(Electrical specification):

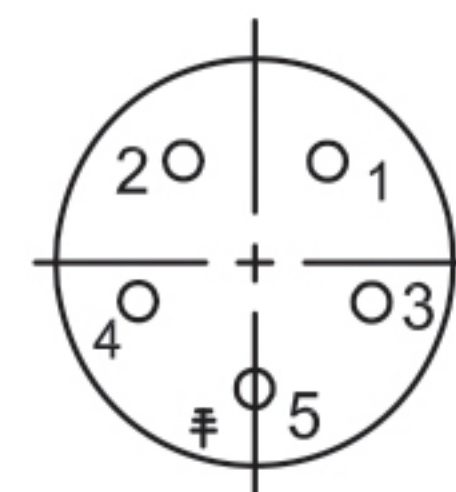
型号 Model	运行电压 Operating Voltage	额定电流 Rated Current	电阻 Resistance	电感 Inductance	保持转矩 Holding Torque	空载频率 Noload Frequency	起动频率 Starting Frequency	重量 Weight	长度 Length
	VDC	A	Ω	mH	N.m	Hz	Hz	kg	mm
110BYG250	80-200	4	0.15	5.6	12	20000	2500	9.6	169
110BYG250A	80-200	5	0.21	5.0	16	20000	2300	11.0	197
110BYG250B	80-200	5	0.45	6.5	20	20000	2500	12.8	225
110BYG250C	80-200	5	0.53	8.0	25	18000	2500	14.3	252

以上产品可根据客户要求定制。
Above Products can be customized according to customer requirement.

运行矩频特性 (Torque-frequency Characteristic):



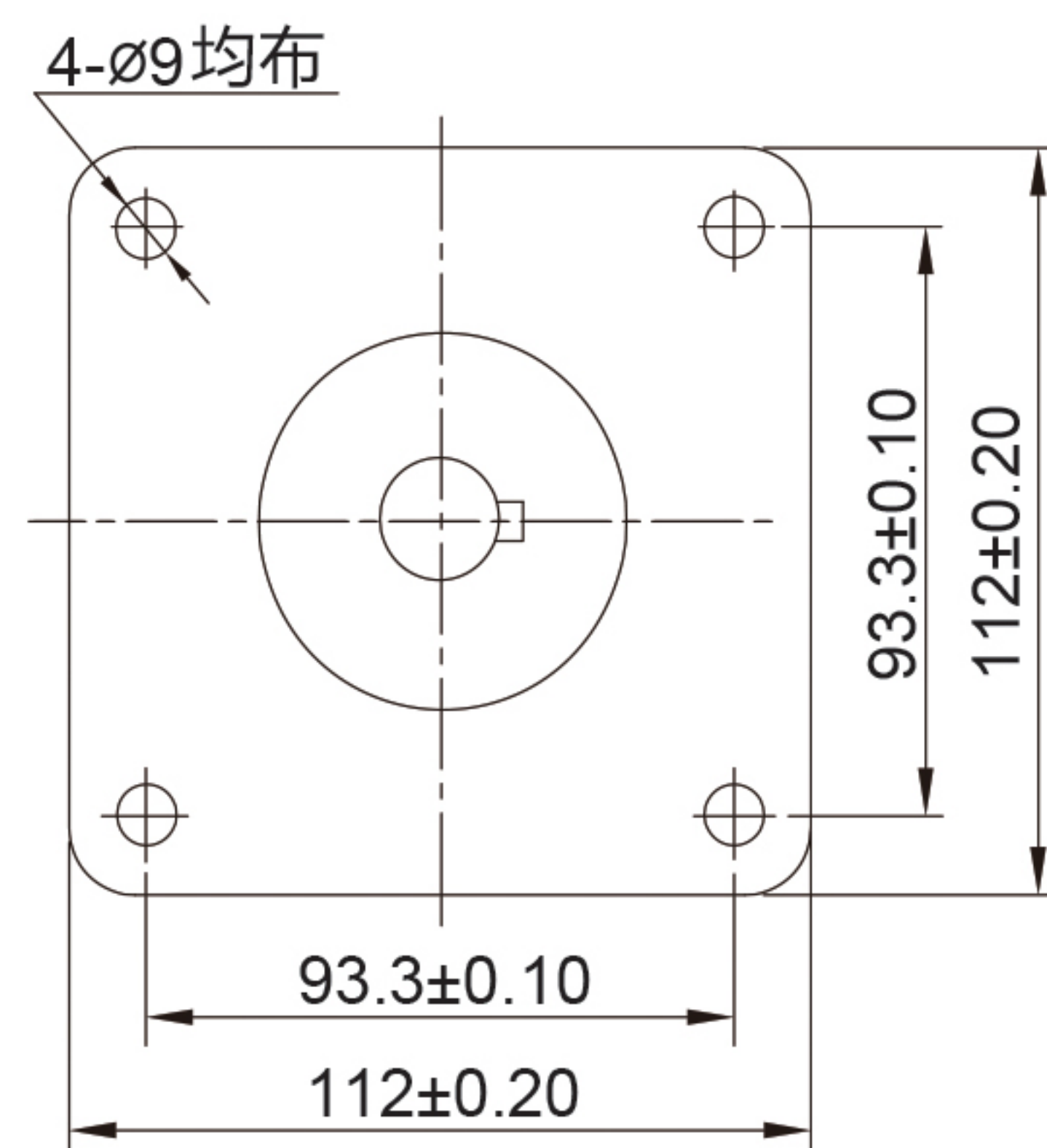
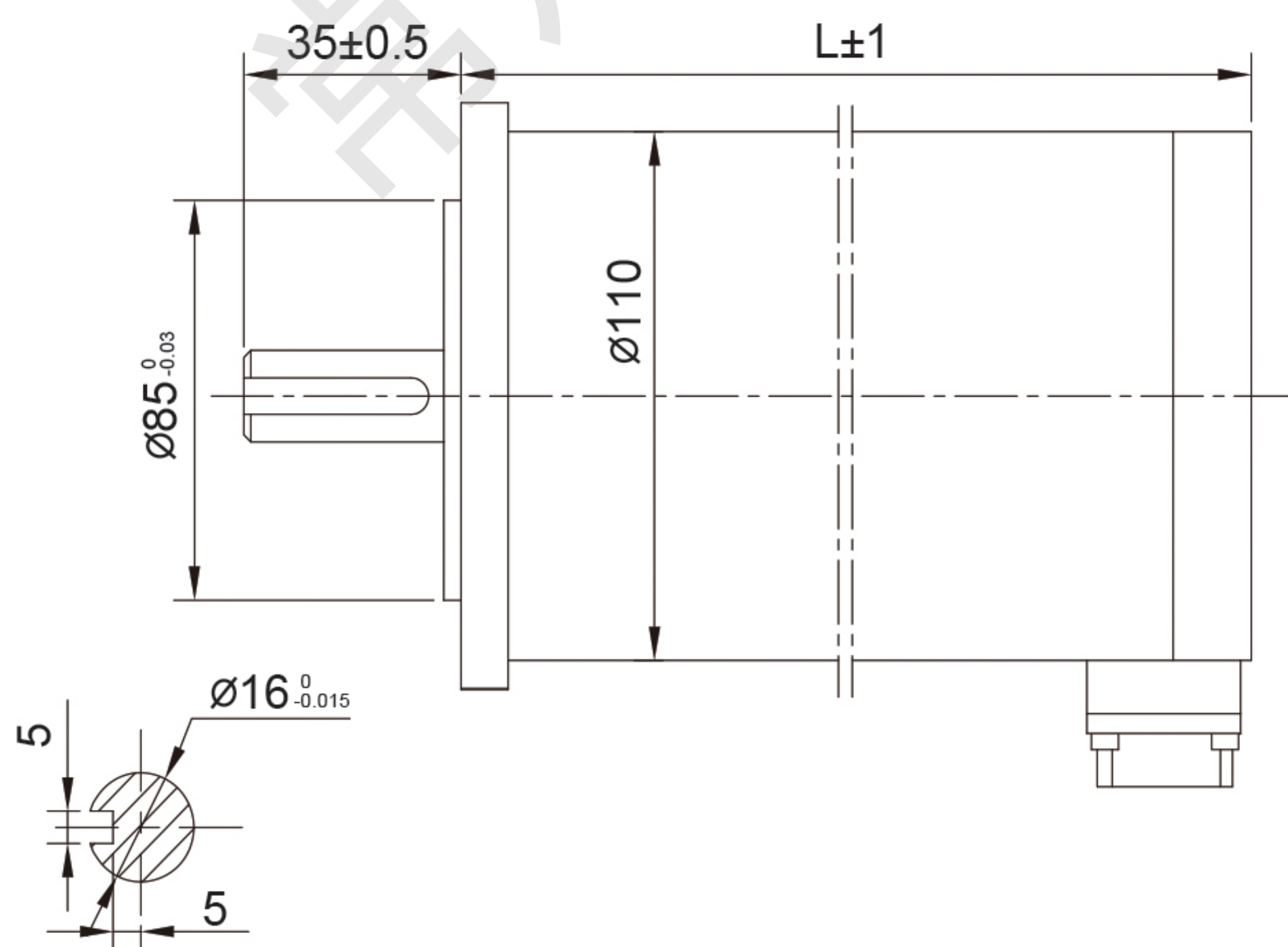
接线图(Wiring Diagram):



五芯插座
Five Pins Socket

A	A'	B	B'	PE
1	2	3	4	5

外形尺寸 (Dimension):



注意：装配时，须保证电机轴和负载轴的同轴，严禁敲打，以免损坏电机。
Note: When installing the motor, must ensure that the motor shaft and load shaft concentric, never hit it, so as not to damage the motor.