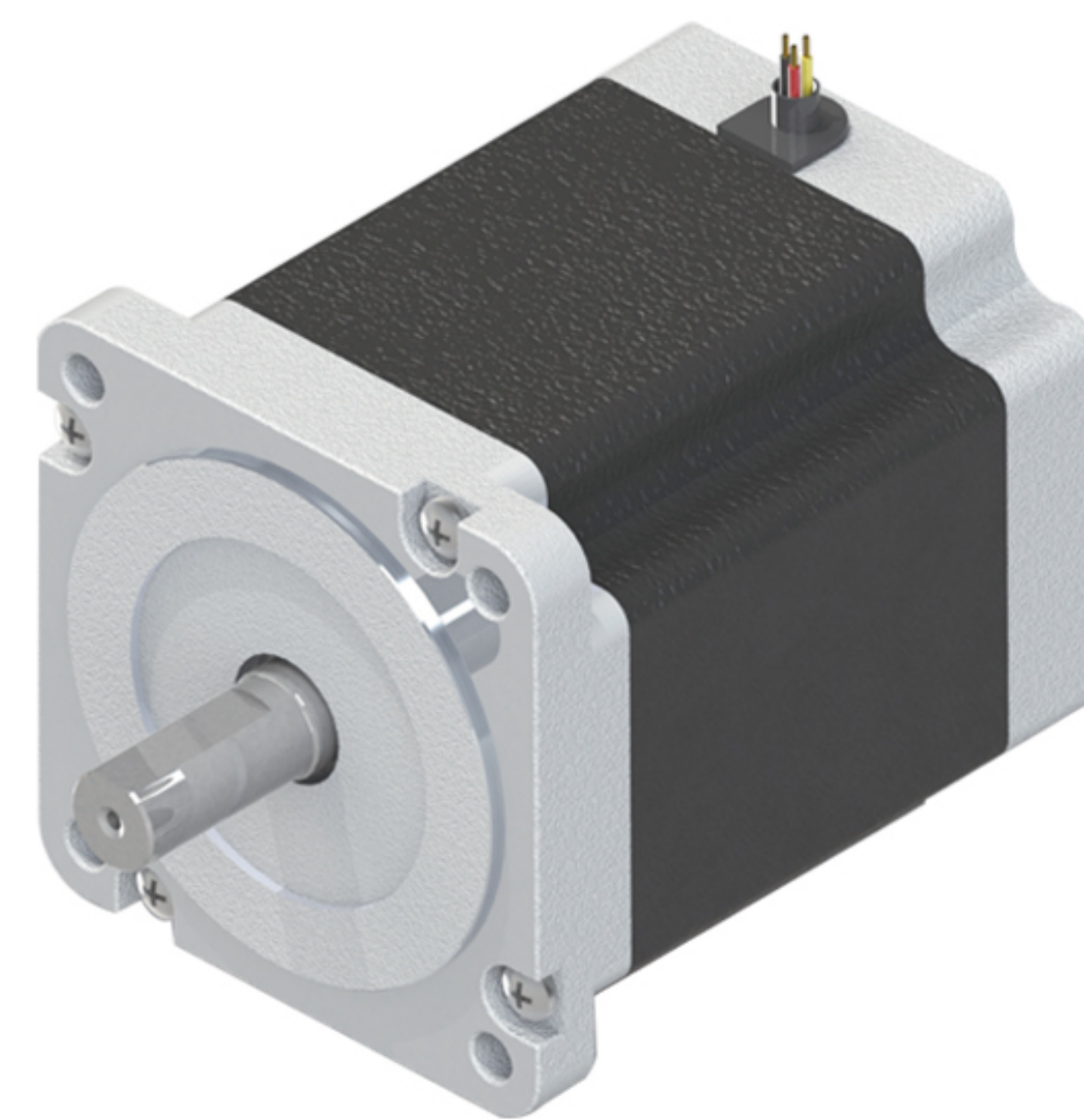


86H3F系列步进电机

86H3F stepping motor

步距角 Step Angle	1.2°
绝缘电阻 Insulation Resistance	500V DC 100MΩ Min
绝缘强度 Dielectric Strength	1000V AC 50Hz 2mA 1Minute
环境温度 Ambient Temperature	-20~+40°C
温升 Temperature Rise	80K Max
绝缘等级 Insulation Class	B

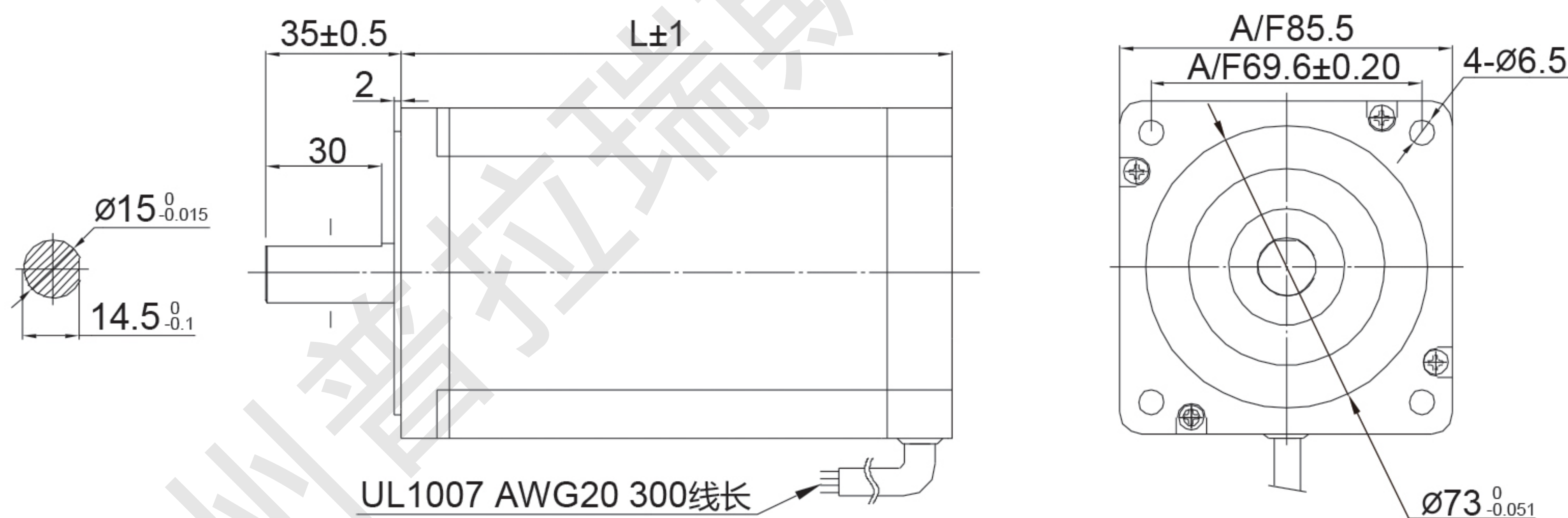


产品性能参数(Electrical specification):

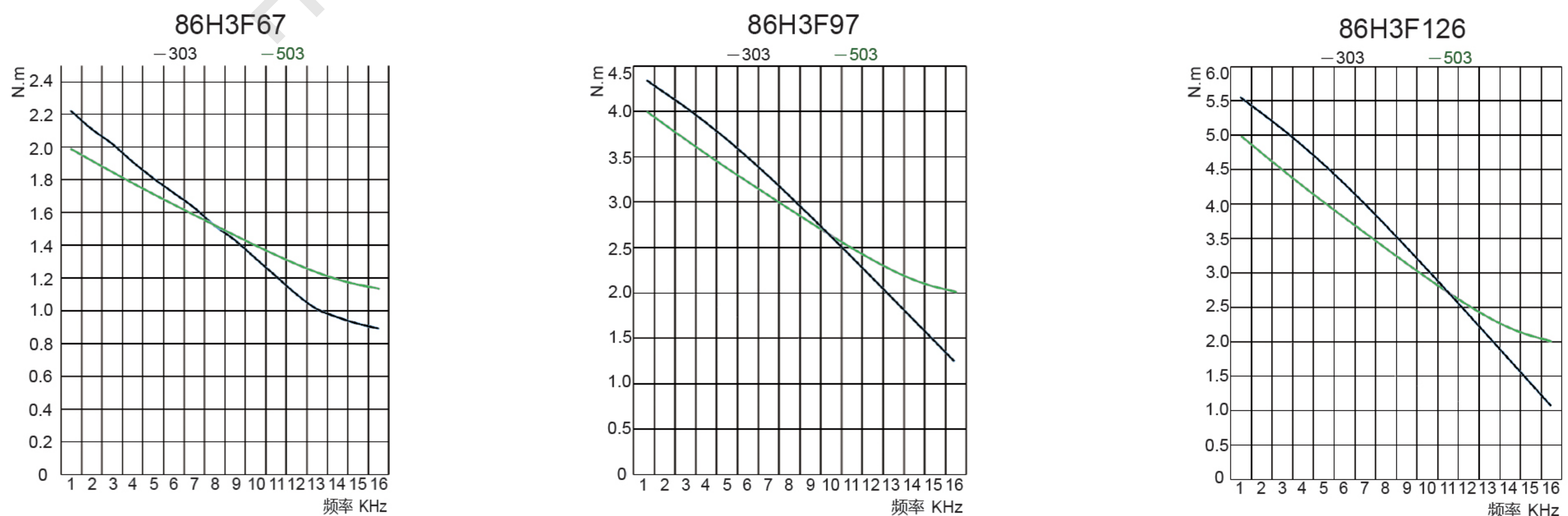
型号	机身长度	额定电压	额定电流	绕组电参数 @20°C Typ.		静力矩		转子惯量		电机质量	
	mm			V	Amps	Ohms	mH	N.m	oz-in	g.cm ²	oz-in ²
86H3F67-303	67	6.9	3.0	2.3	8.4	2.8	400	1100	6	1.6	3.5
86H3F67-503		4.0	5.0	0.8	2.4	2.8	400	1100	6	1.6	3.5
86H3F97-303	97	7.5	3.0	2.5	12	5.3	750	1850	10	2.7	6
86H3F97-503		4.0	5.0	0.8	3.2	5.0	710	1850	10	2.7	6
86H3F126-303	126	9.9	3.0	3.3	17	6.8	960	2750	15	3.8	8.4
86H3F126-503		5.0	5.0	1.0	4.8	6.8	960	2750	15	3.8	8.4

以上产品可根据客户要求定制。
Above Products can be customized according to customer requirement.

外形尺寸 (Dimension):



运行矩频特性 (Torque-frequency Characteristic):



注意：装配时，须保证电机轴和负载轴的同轴，严禁敲打，以免损坏电机。
Note: When installing the motor, must ensure that the motor shaft and load shaft concentric, never hit it, so as not to damage the motor.