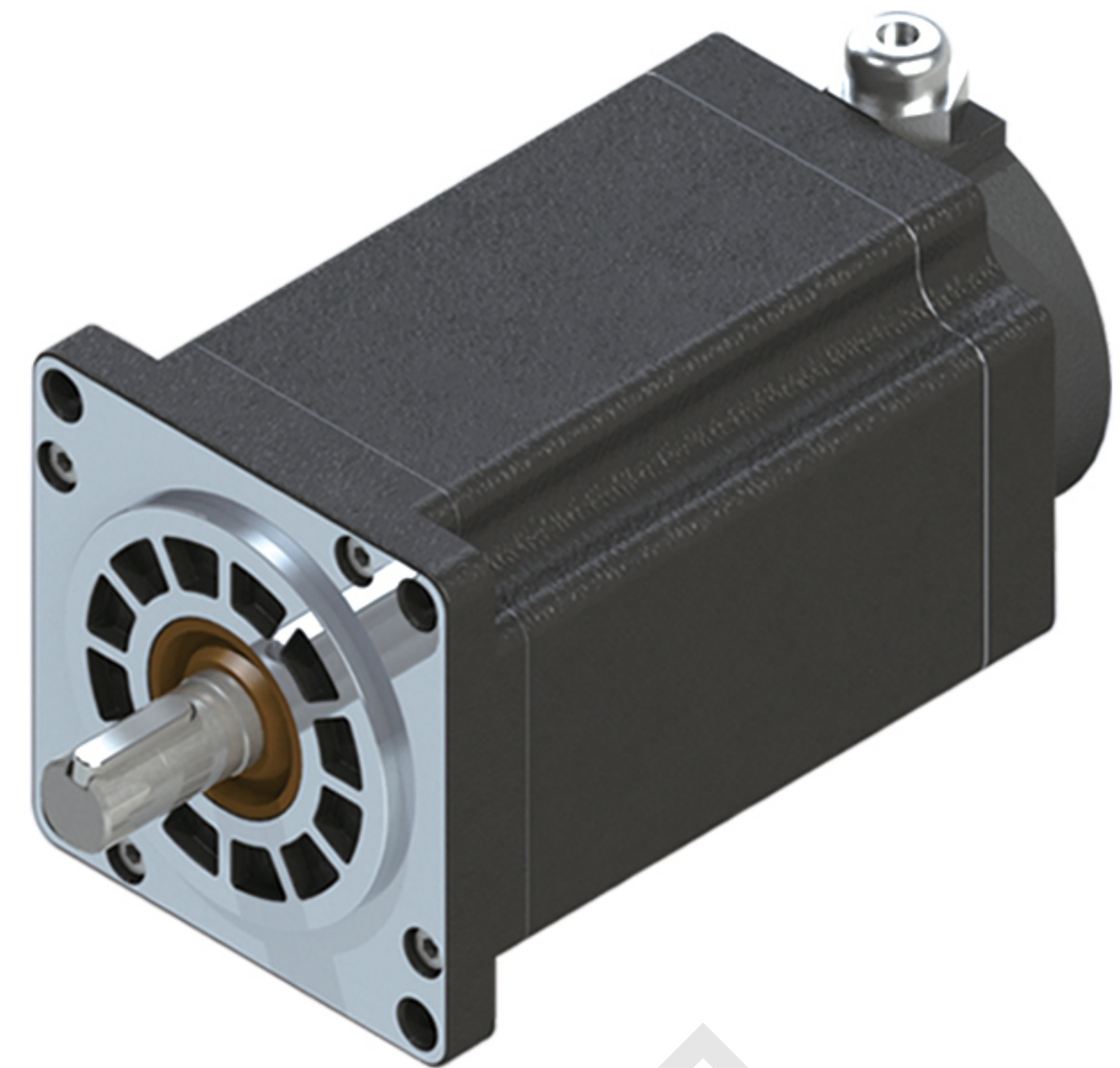


110BYG350F系列步进电机

110BYG350F Series stepping motor

步距角 Step Angle	1.2°
绝缘电阻 Insulation Resistance	500V DC 100MΩ Min
绝缘强度 Dielectric Strength	1000V AC 50Hz 2mA 1Minute
环境温度 Ambient Temperature	-20~+40°C
温升 Temperature Rise	80K Max
绝缘等级 Insulation Class	B

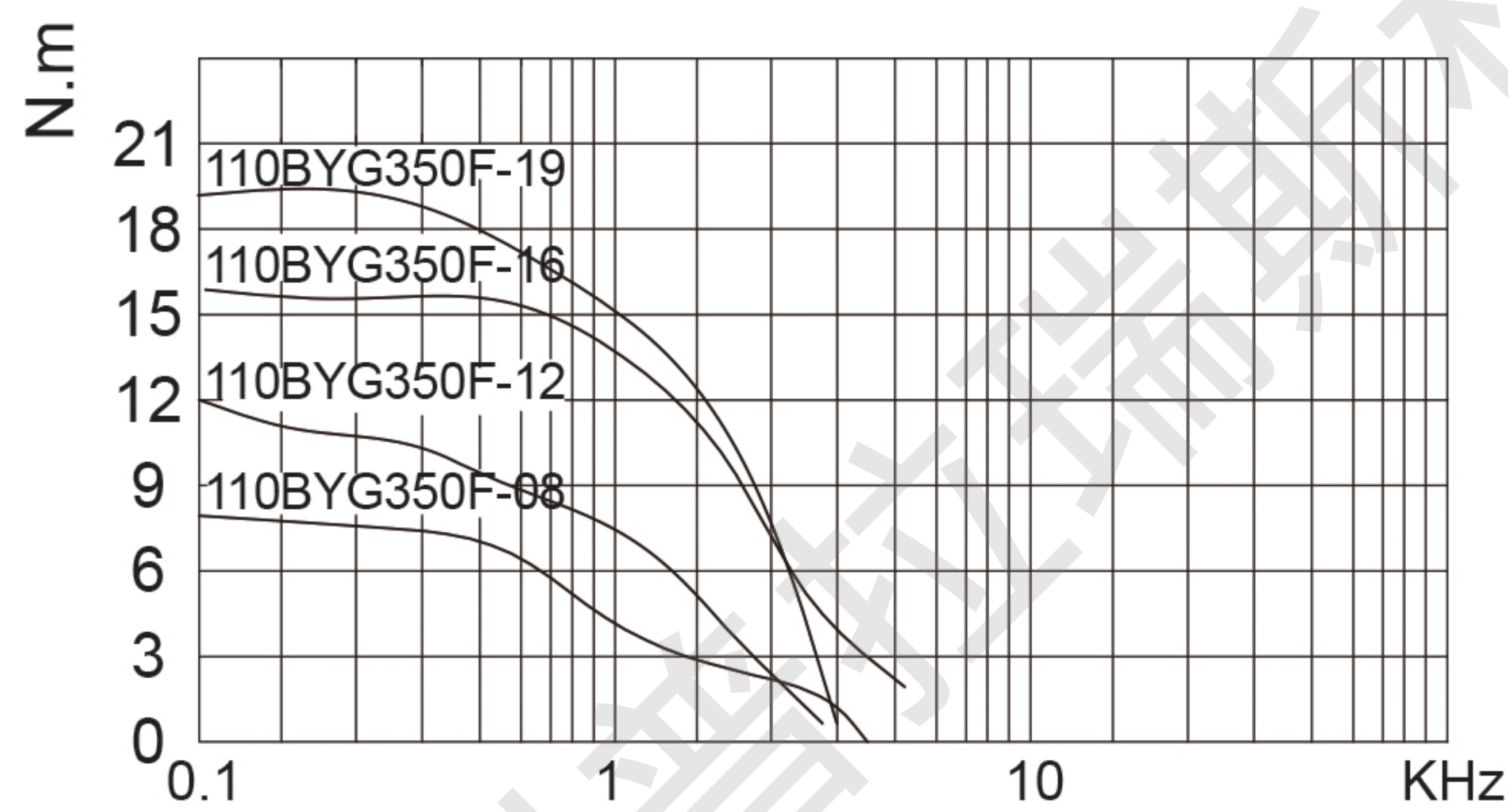


产品性能参数(Electrical specification):

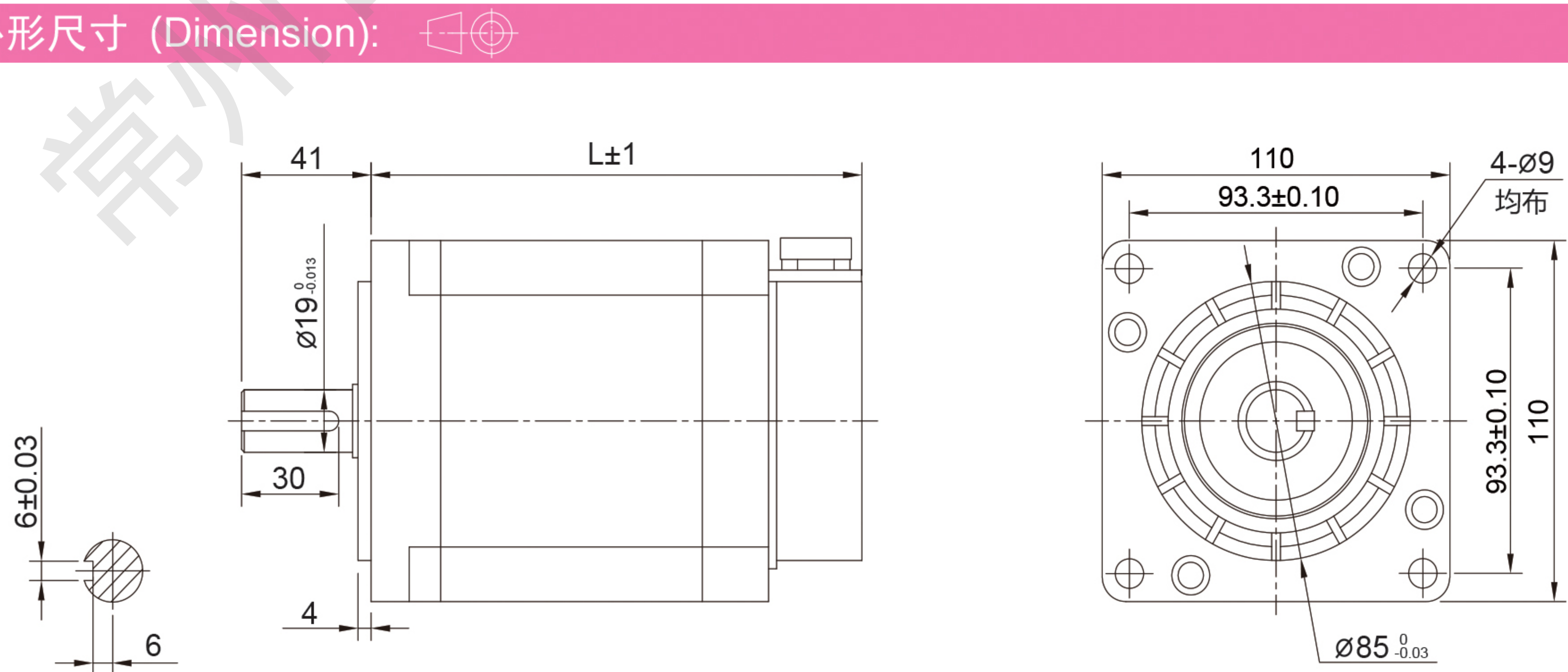
型号 Model	运行电压 Operating Voltage	额定电流 Rated Current	电阻 Resistance	电感 Inductance	保持转矩 Holding Torque	转子惯量 Rotor Inertia	重量 Weight	长度 Length
	V	A	Ω	mH	N.m	g.cm ²	kg	mm
110BYG350F-08	80-220	3	0.93	9.3	8	6200	5.5	128
110BYG350F-12	80-220	3	1.38	9.58	12	10000	6.9	152
110BYG350F-16	80-220	3	1.45	20.5	16	12500	9.0	185
110BYG350F-19	80-220	3	1.38	22.5	19	16900	10.8	212

以上产品可根据客户要求定制。
Above Products can be customized according to customer requirement.

运行矩频特性 (Torque-frequency Characteristic):



外形尺寸 (Dimension):



注意：装配时，须保证电机轴和负载轴的同轴，严禁敲打，以免损坏电机。
Note: When installing the motor, must ensure that the motor shaft and load shaft concentric, never hit it, so as not to damage the motor.